

DOC SERIES

SUBMERSIBLE PUMPS

DOC pumps are versatile, corrosion-resistant and compact. Three basic versions are available with 0.3 to 0.7 kW power. A DOC 7VX version with Vortex impeller is available.

APPLICATIONS

- Emptying of residential sump pits, rainwater tanks or laundry drainage.
- Garden and lawn irrigation, with suction from rainwater tanks.
- Emergency draining of flooded basements and garages.
- Transfer of water from tanks, cisterns and swimming pools.

SPECIFICATIONS

- **Maximum liquid temperature: 40°C** with partially submerged pump.
- **Dry motor.**
- Maximum immersion depth: 5 m.
- **Class B insulation.**
- **IP 68 protection.**
- The **DOC 3** pump has a delivery of **145 l/min**, head up to **7 m**, and passes **suspended solids up to 10 mm** in diameter. Only available in single-phase version.
- The **DOC 7** pump has a delivery of **230 l/min**, head up to **11 m**, and passes **suspended solids up to 10 mm** in diameter.
- The **DOC 7VX** pump has a delivery of **180 l/min**, head up to **7 m**, and can handle liquids with **suspended solids up to 20 mm** in diameter.
- A “shallow-suction device”, that can be mounted on both the DOC3 and DOC7 models, is available on request. It ensures complete drainage of flooded floors (to 3 mm from floor).
- Versions:
 - Single-phase** 220 V 50 Hz 2 poles (2850 rpm).
 - Three-phase** 380-415 V 50 Hz 2 poles (2850 rpm).
- 60 Hz and without floats (SG) models are available on request.



- **The single-phase versions** feature:
 - Pre-assembled float** for automatic pump operation (version without float available on request SG).
 - Built-in capacitor.**
 - Thermal overload protection** to stop pump supply in case of overheating.

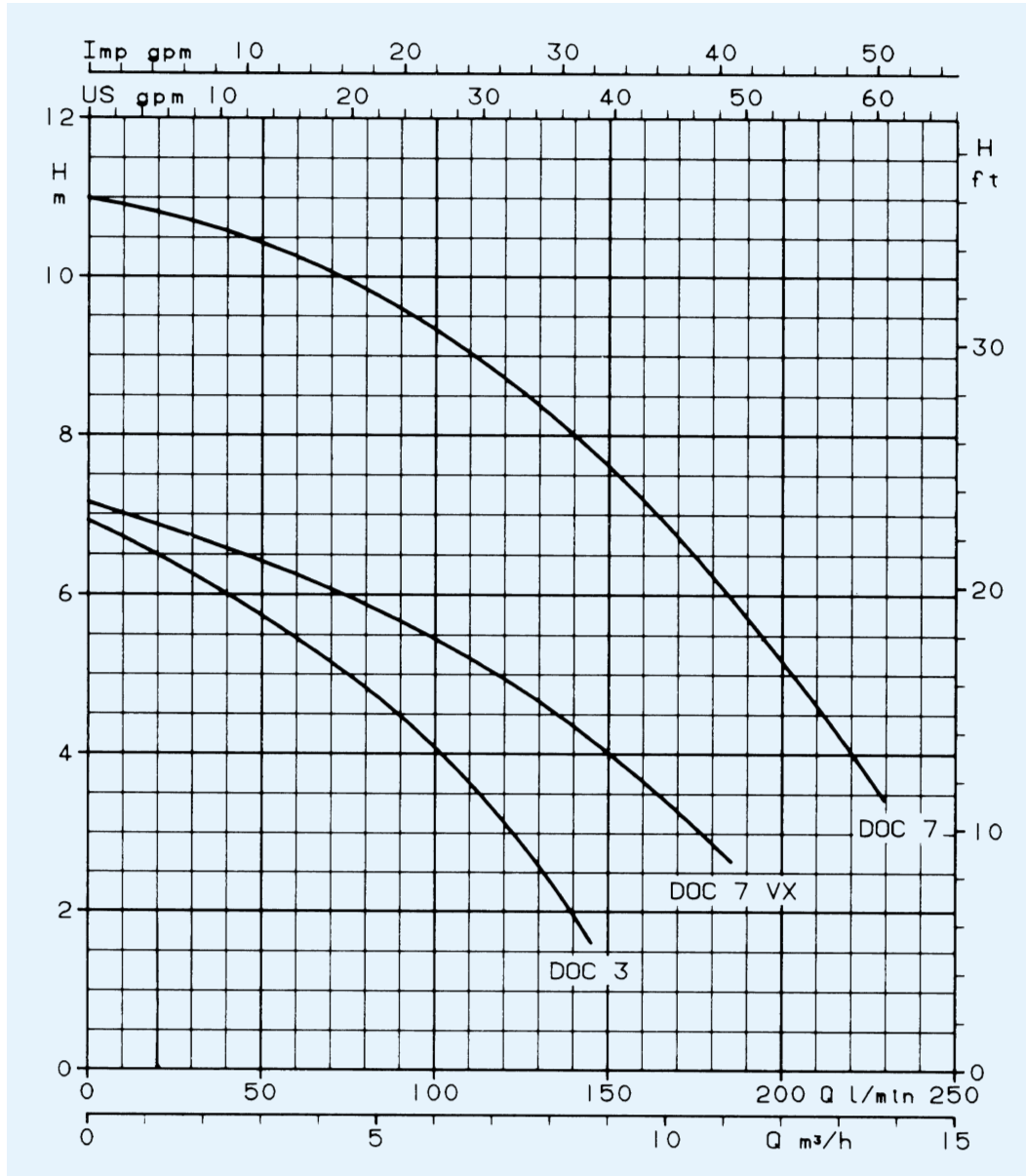
LAB-LIP SEAL SYSTEM

- The electric motor is protected by **three lip seals**. An **impeller counterblade** system keeps solid particles away from the seal unit to prevent damage to the lip seals and ensure their long-lasting efficiency. A double **LAByrinth** and a **V-ring** on the shaft have also been provided.

TABLE OF MATERIALS

PART	MATERIAL
Pump body, Suction screen, Handle, Upper support, Impeller	NORYL TECHNOPOLYMER
Outer sleeve, Motor casing, Lower cover, Screws and tie-rods	STAINLESS STEEL (AISI 304 - DIN 1.4301)
Shaft extension	STAINLESS STEEL (AISI 416 - DIN 1.4005)
Elastomers	NITRILE RUBBER (NBR)

**DOC SERIES
OPERATING CHARACTERISTICS AT 2850 rpm 50 Hz**

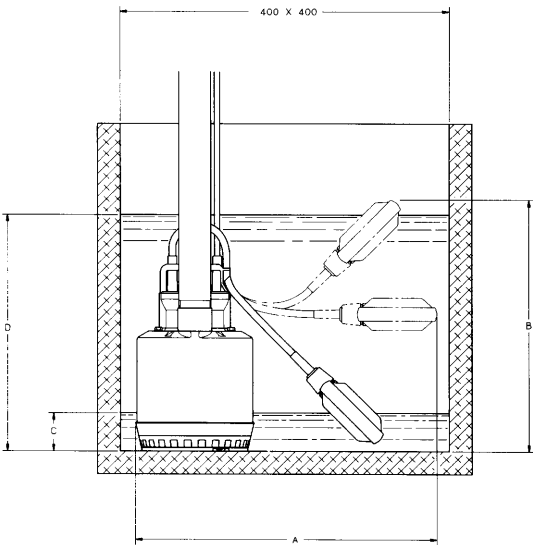


DOC

PUMP TYPE		kW	HP	INPUT POWER		CAPACITOR		INPUT CURRENT IN AMP.		Q = DELIVERY								
SINGLE-PHASE 220 V 50 Hz	THREE-PHASE 220-240/ 380-415 V 50 Hz			SINGLE-PHASE	THREE-PHASE	μF	V	SINGLE-PHASE 220 V	THREE-PHASE 380-415 V	l/min.	25	50	75	100	125	150	175	200
										m³/h								
DOC 3	-	0,25	0,33	0,31	-	6	450	1,5	-	6,3	5,7	5	4,1	2,8	-	-	-	-
DOC 7	DOC 7T	0,55	0,75	0,78	0,7	16	450	3,7	1,4	10,7	10,4	9,9	9,3	8,5	7,6	6,5	5,3	3,7
DOC 7VX	DOC 7VXT	0,55	0,75	0,7	0,65	16	450	3,4	1,3	6,8	6,4	6	5,4	4,8	4	3	-	-

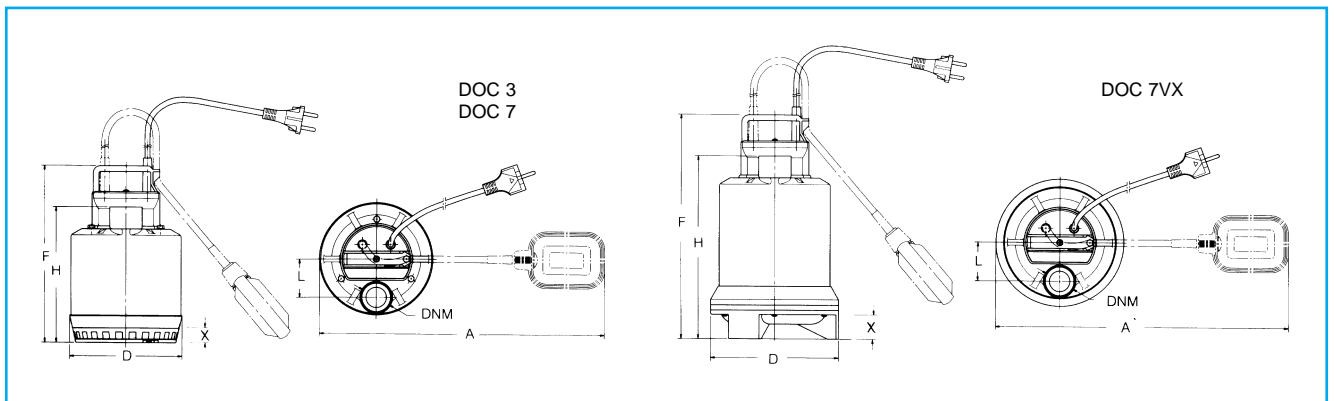
NOTE: single-phase versions without float are marked "SG".
These performances are valid for liquids with density $\rho = 1.0 \text{ kg/dm}^3$ and kinematic viscosity $\gamma = 1 \text{ mm}^2/\text{sec}$.

INSTALLATION DIAGRAM



ELECTRIC PUMP TYPE	DIMENSIONS IN mm		MINIMUM WATER LEVEL C	MAXIMUM WATER LEVEL D
	A	B		
DOC 3	390	330	50	310
DOC 7	390	370	90	350
DOC 7VX	390	395	115	375

DOC SERIES DIMENSIONS AND WEIGHTS



ELECTRIC PUMP TYPE	DIMENSIONS IN mm						DNM	WEIGHT kg
	A	D	F	H	L	X		
DOC 3	390	155	245	188	54	20	G 1 ¹ / ₄	4
DOC 7	390	155	285	228	54	20	G 1 ¹ / ₄	6
DOC 7VX	390	175	310	252	54	50	G 1 ¹ / ₄	6

X = Minimum draining level. 3 mm if shallow suction device has been installed on DOC 3 and DOC 7.

ACCESSORIES

