

PRESSCONTROL

PRESSCONTROL is a device with a new concept that guarantees optimal control of pumps for home use. Deriving from a hydraulic and electronic logics project, it is capable of simultaneously detecting both the pressure and the flow, as well as automatically managing the pump operation.

It replaces the traditional expansion tank system, protecting the pump in the case of a water shortage.

Far more compact than traditional systems, it is totally reliable, resistant, and easy to install.



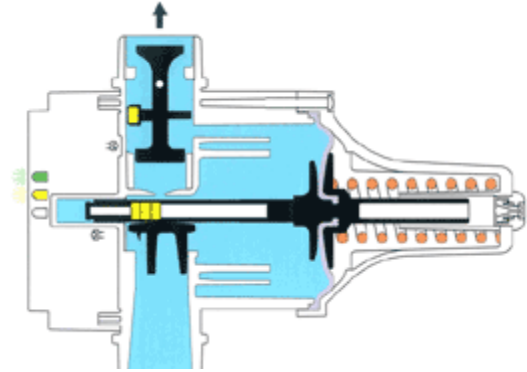
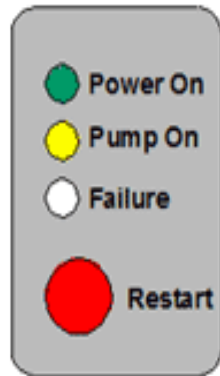
APPLICATIONS AND PERFORMANCE

- ✓ Replaces the traditional expansion tank system.
- ✓ Starts and stops the pump in accordance with the opening and closing of the taps.
- ✓ Maintains constant pressure during delivery.
- ✓ Stops the pump in the case of water shortage, protecting it from dry running.
- ✓ Attenuates the effects of water hammering.
- ✓ Maintenance-free.

OPERATION - SYSTEM OPERATION

On opening a tap, the device starts the pump which remains in operation for the same time the tap remains open.

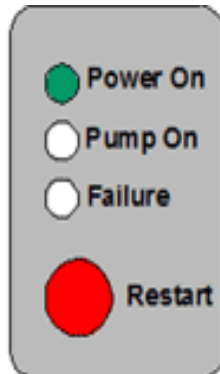
- ✓ Tap open
- ✓ Presence of flow
- ✓ Presence of pressure
- ✓ Pump running



OPERATION - SYSTEM UNDER PRESSURE

On closing the tap, the device restores the maximum pressure to the system, stops the pump and returns to the standby position.

- ✓ System closed
- ✓ Absence of flow
- ✓ Presence of pressure
- ✓ Pump stopped



OPERATION - SYSTEM STOPPED

In the event of a water shortage during aspiration, the device will recognise the fault, signal the same with the red pilot light Failure, and stop the pump to protect it from dry running.

After eliminating the causes of the stopping it is sufficient to press the red Restart button to restore normal operation.

In case of a temporary electricity cut-off the device will automatically start up again when the power returns.

- ✓ Tap open
- ✓ Absence of flow
- ✓ Absence of pressure
- ✓ Pump stopped

